

M2M & ISM Band

GSM, 3G UMTS & 2.4GHz WLAN PCB Antenna

- Credit Card Thin
- Mesh Network
- Omni Directional
- Pentaband
- ROHS Compliant
- UFL Connector
- Ultra Compact
- Bluetooth
- GPRS GPRS
- UMTS UMTS
- Wifi
- Zigbee



TCT-C3G-24-24

Smart metering antenna
Simple & quick installation
Suitable for plastic enclosures

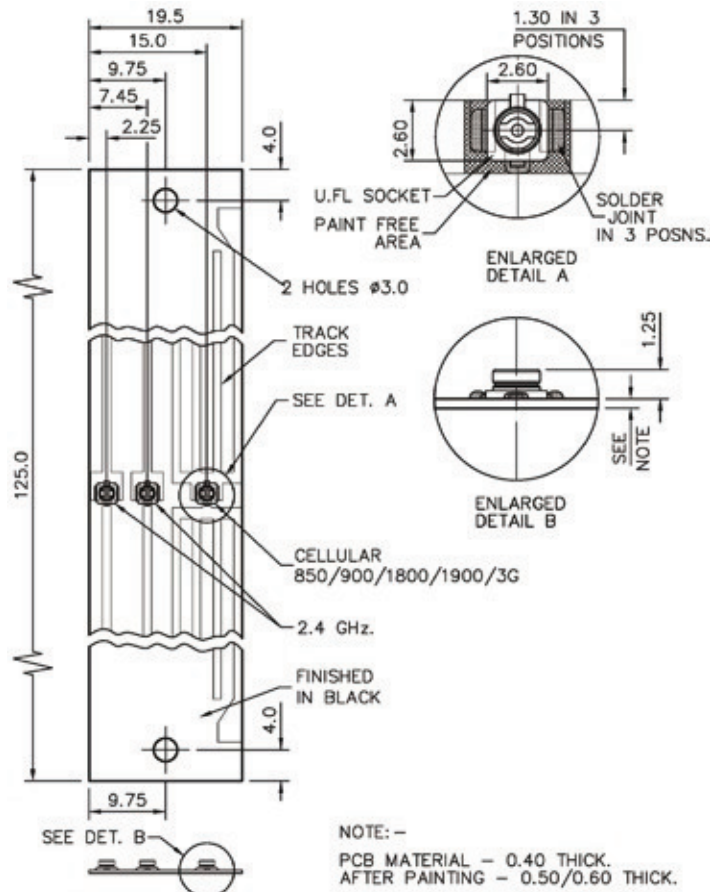
The TCT-C3G-24-24 represents an effective and cost effective solution to the problem of combining multiple transmission methods in a single device.

Typical use for this antenna is where GSM & 3G UMTS, 2.4GHz WLAN and Bluetooth functions are needed.

When space, cost and lack of ground plane are an issue the TCT-C3G-24-24 comes into its own and substituting inconvenient soldered flying leads for board mounted UFL connectors makes it extremely adaptable.

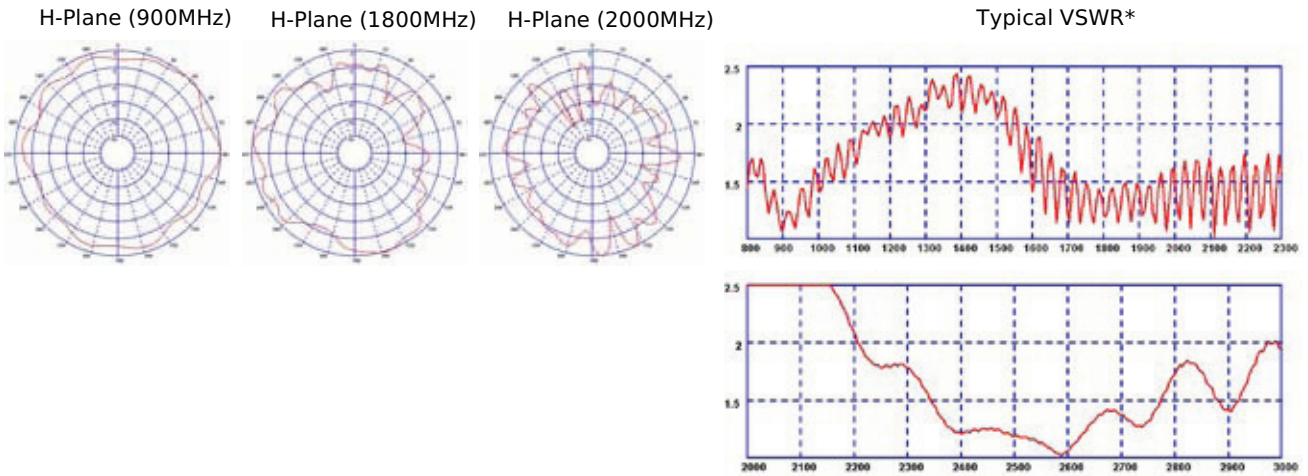
The TCT-C3G-24-24 will support and improve quad band GPRS, 3G, WLAN, Bluetooth and Zigbee communication efficiency.

Technical Drawing



M2M & ISM Band

GSM, 3G UMTS & 2.4GHz WLAN PCB Antenna



* The VSWR of this antenna will vary depending on the mounting material

| | |
|----------------------------|------------------------------------------------------------------|
| Part No. | |
| TCT-C3G-24-24-UF | |
| Electrical Data | |
| Frequency Range (MHz) | 805-894, 890-960, 1710-1880, 1900-2170, 2400-2500 |
| Operational Band | GSM850 / CDMA850, GSM900, GSM1800, PCS1900, 3G UMTS, 2.4GHz WLAN |
| Gain: Isotropic | 2dBi |
| Compared to ¼ wave | 0dB |
| Pattern | Omni-directional |
| Impedance | 50Ω |
| Max Input Power (W) | 10 |
| Mechanical Data | |
| Length | 125 |
| Dimensions (mm) Width | 19.5 |
| Thickness | 0.6 |
| Operating Temp (°C) | -40° / +80°C |
| Colour | Black |
| Mounting Data | |
| Fixing Holes Diameter (mm) | Ø 3 |
| Connector | |
| Type | U.FL socket |
| Height (mm) | 1.25 |