



# COR Series Router Extensibility Dock

Increase Availability. Augment Bandwidth.



## THANK YOU FOR CHOOSING CRADLEPOINT

Cradlepoint is the leading provider of secure cloud-managed 3G/4G/LTE networking solutions for the Distributed Enterprise with hundreds or thousands of locations. Our broad family of high-performance routers are designed for deployment in mission-critical applications that require 24x7 connectivity.

*Always Connected. Always Protected.*

### Extensibility Dock Key Features:

- + Dual-modem MC400 expansion slot
- + 2 extra 10/100 Ethernet ports
- + 3rd party expansion card support
- + 2x10 connector for:
  - + Extra GPIOs (1 in + 4 I/O)
  - + 5V DC 50mA sensor power
  - + Ignition sensing
  - + Redundant power supply capable
- + Hardware Developers Kit available

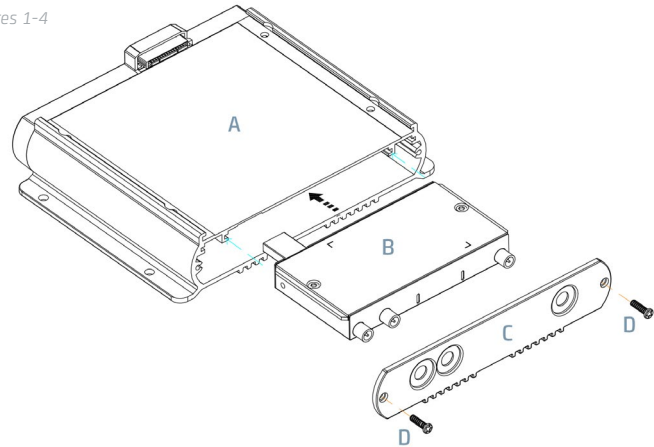
To view the full Quick Start Guide, go to [cradlepoint.com/extensibility-dock](http://cradlepoint.com/extensibility-dock).

## INSTALLATION INSTRUCTIONS

1. Remove modem door (C) from dock (A).
2. Insert activated SIM(s) into MC400 modem (B).
3. Slide MC400 modem (B) into modem dock (A).
4. Attach modem door (C) using M3 screws (D).
5. Remove dock port protective cover. With the dock port of the router facing the dock, slide the mounting flange(s) of the router (E) into the guide rails of the dock (A).
6. Fully seat the dock connectors and align the router/dock holes.
7. Secure router to dock using four M5x8 screws (F, see Figure 7), then secure dock to mounting surface using four mounting screws (G) (not supplied). For high-vibration environments, Cradlepoint recommends using thread locker.

*NOTE: Do not place router antennas and MC400 antennas immediately adjacent. Cradlepoint recommends remotely attaching one or both sets of antennas.*

Figures 1-4



Figures 5-6

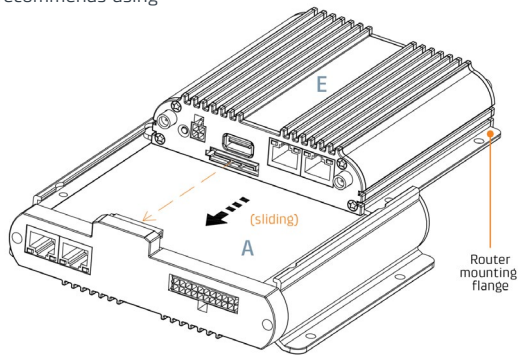


Figure 7

