

MEA-DSRC-02Z

DSRC ANTENNA

Description

The MEA-DSRC-02Z is a small, external mount DSRC antenna for 5850 - 5950MHz. This DSRC (Dedicated Short Range Communications) antenna was designed for vehicle-to-vehicle communication for active safety control. There are several mounting options available, including wall and pole mounting (page 2). The antenna is waterproof and rated IPX5. It is available with an SMA, N-Type or customer specified connector.

Electrical Specifications

Parameter	Design Specifications
Frequency Range (MHz)	5850 - 5950 MHz
VSWR	2.0 : 1 Max
Impedance	50 Ohm
Peak Gain	5.0 dBi Typical @ 5850 ~ 5950 MHz
Average Efficiency	5150 ~ 5850 MHz ≥ 60%

Mechanical Specifications

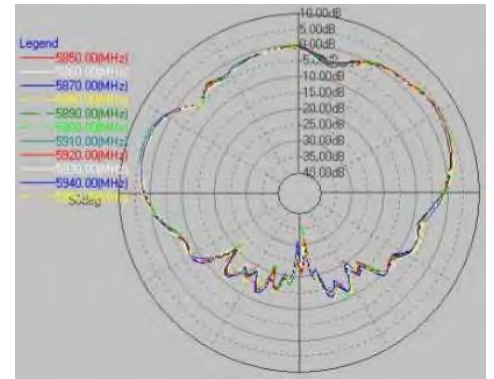
Parameter	Design Specifications
Antenna Dimension (mm ³)	120 x 120 x 45 mm ³
Mounting Function	Wall or Pole (page 2 diagram)
Operating Temp.	-20 °C ~ +80 °C
Housing Material & Color	ABS & White
Cable	CFD-200 (DSRC)
Cable Length	30 cm
Connector	SMA / N-Type or customer specified
Waterproof	IPX5



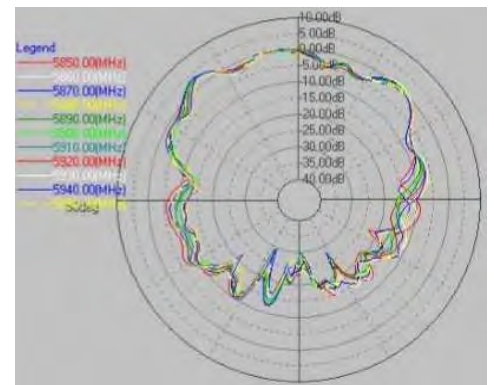
Applications

- V2V (Vehicle-to-vehicle)
- V2X (Vehicle-to-Other)

X-Z Pattern



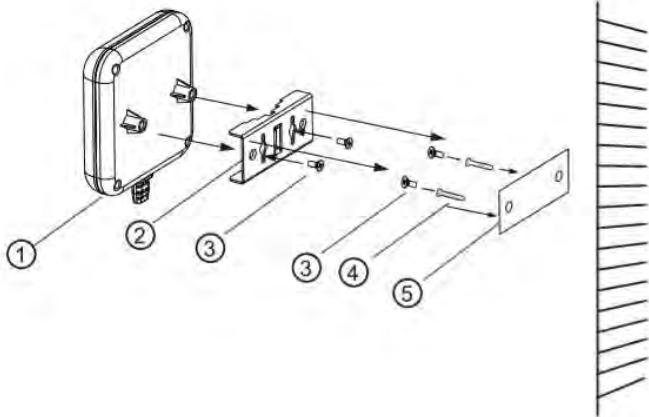
Y-Z Pattern



Mounting Methods Available

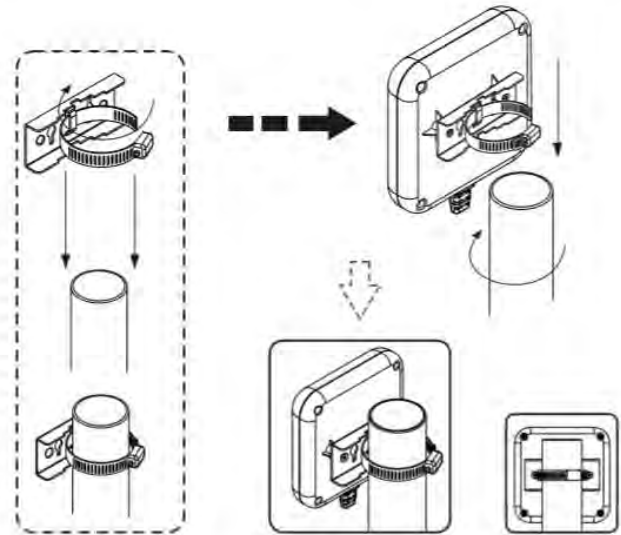
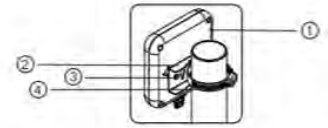
• Wall mounting

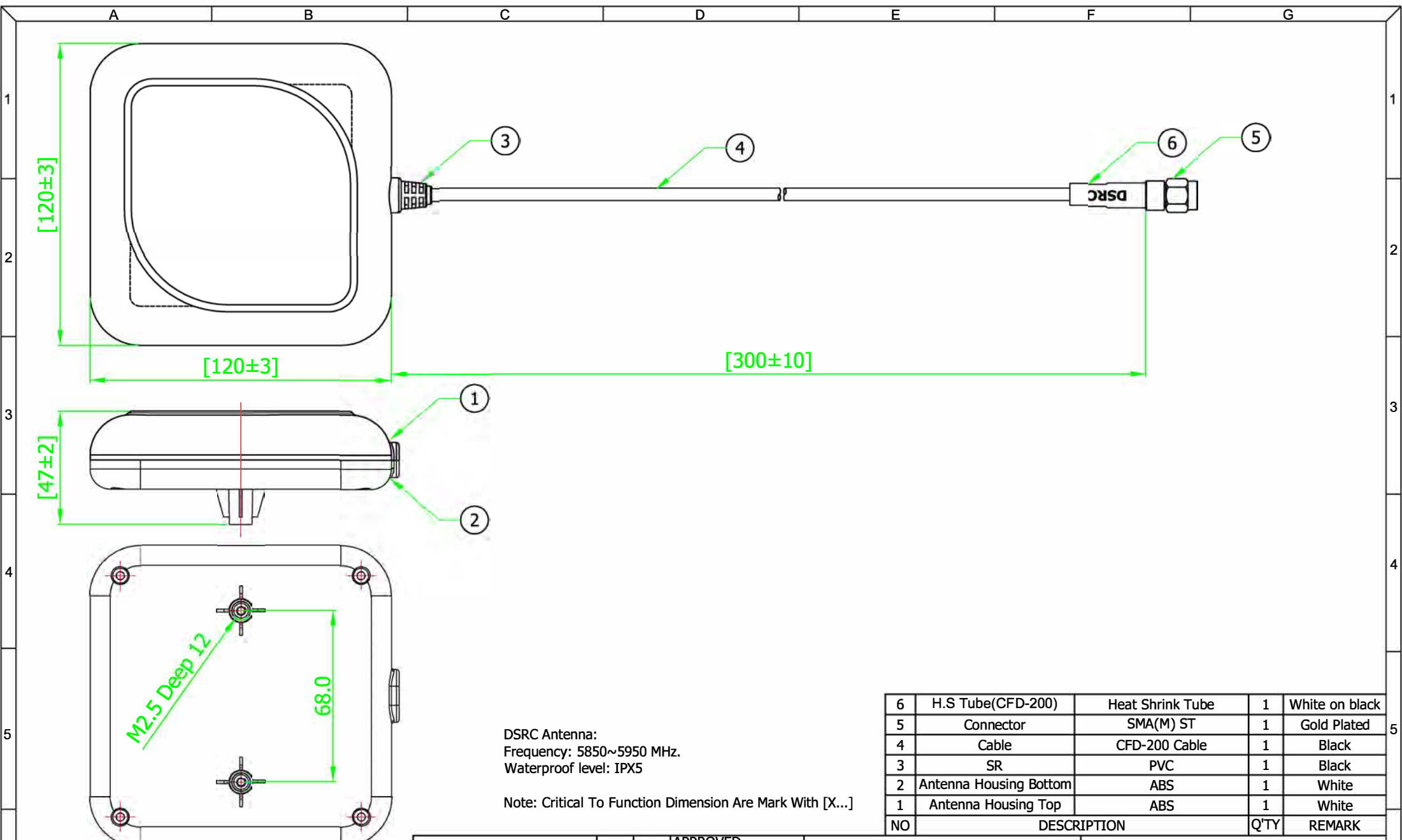
- ① Antenna..... 1 pc
- ② Holder..... 1 pc
- ③ Screws..... 4 pcs
- ④ Plastic Fixings..... 2 pcs
- ⑤ Sticker..... 1 pc



• Pole mounting

- ① Antenna..... 1 pc
- ② Holder..... 1 pc
- ③ Screws..... 2 pcs
- ④ Hose Clamp..... 1 pc





DSRC Antenna:
 Frequency: 5850~5950 MHz.
 Waterproof level: IPX5

Note: Critical To Function Dimension Are Mark With [X...]

NO	DESCRIPTION	Q'TY	REMARK
6	H.S Tube(CFD-200)	1	White on black
5	Connector	1	Gold Plated
4	Cable	1	Black
3	SR	1	Black
2	Antenna Housing Bottom	1	White
1	Antenna Housing Top	1	White

CUSTOMER'S SINGATURE

XX.	±5.0	APPROVED
X.	±2.0	
.X	±1.0	CHECKED
.XX	±0.5	
.XXX	±0.1	DRAWING

CUSTOMER:		
PART NO :		
PARTNAME : DSRC Antenna		
W.Y P/NO : MEA-DSRC-02Z		
REV	UNIT	FILE :
A	mm	SHEET : 1/1

