

M1621HCT-P-SMA

IRIDIUM CERTIFIED PASSIVE ANTENNA

Ordering Part #: 100-00003-02



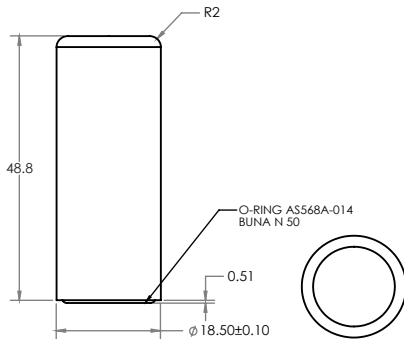
Description

The M1621HCT-P-SMA is a high performance antenna designed for the Iridium network, and built on proprietary Maxtena HeliCore® technology. This technology provides exceptional pattern control, polarization purity and high efficiency in a very compact form factor. The M1621HCT-P-SMA is a screw-on design, featuring an integrated SMA connector and is rated IP-67 when both mounted and unmounted for added protection. This product is designed for applications requiring high quality reception and is ideal when:

- the orientation of the unit containing the antenna is random;
- the unit is used in harsh environments;
- the antenna is mounted externally and in close proximity to other antennas.

Mechanical Specifications

dimensions are in mm



Electrical Specifications

Parameter	Design Specifications
Frequency	1616-1626 MHz
Polarization	RHCP
Antenna element peak gain	2.8 dBic (typical)
Efficiency	60%
Bandwidth (-1dB)	20 MHz
Axial Ratio	0.2 dB (typical) / 0.5 dB (max)
VSWR	1.5 (max)
Impedance	50 Ohm
Operating temp.	from -40°C to 85°C
RF connector	SMA

Features

- Optimized for Iridium network
- Very low axial ratio
- IP-67 mounted and unmounted
- Ultra light weight
- Ground plane independent

Applications

- Vehicle and fleet tracking
- Military & security
- Asset tracking
- Iridium (SBD) Short Burst Data
- Oil & gas industries
- Navigation devices
- Mining equipment
- LBS & M2M applications
- Handheld devices
- Law enforcement

Realized gain plot

Measured at 1621 MHz

