



**PG2400-SMA, PG2400-TNC & PG2400-TNCR**

Rugged Design  
2.4GHz Wireless LAN Antennas  
Various Gains



Rugged design  
 Various gains  
 SMA or TNC connectors  
 Right-angle option

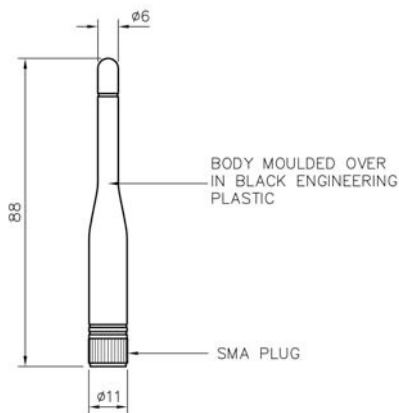
Kit consists of:

2.4GHz elevated dipole antenna with 2dBi or 4dBi gain and SMA, TNC or right-angle TNC connectors

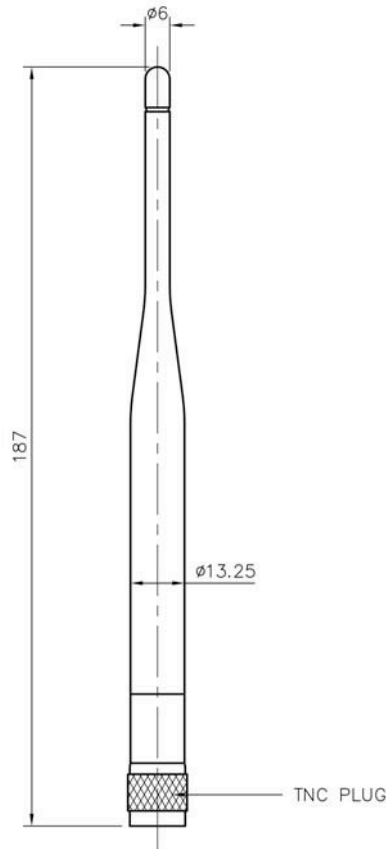
Part No	Gain	Connector
PG2400-SMA	2dBi	SMA
PG2400-TNC	4dBi	TNC
PG-2400-TNCR	4dBi	Right-angle TNC

Technical Drawing

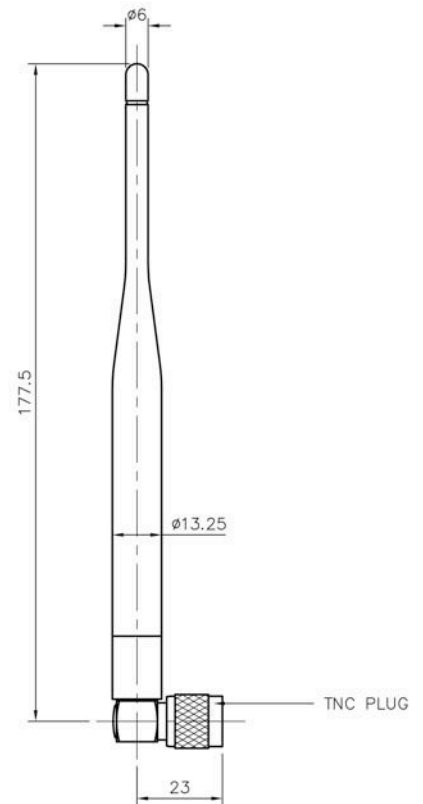
PG2400-SMA



PG2400-TNC

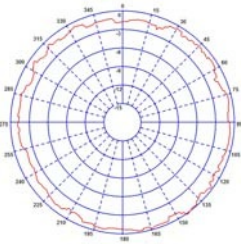


PG2400-TNCR

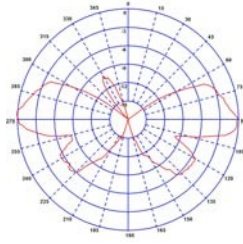


## Performance

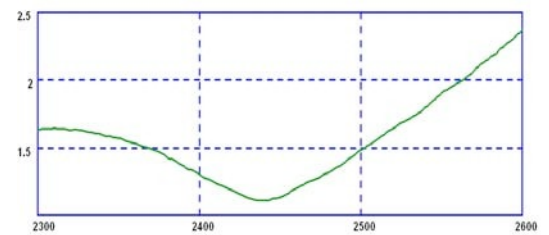
Typical H-Plane @ 2.4GHz



Typical E-Plane @ 2.4GHz



Typical VSWR v Freq (MHz)



Part No.	PG2400-SMA	PG2400-TNC	PG2400-TNCR
<b>Electrical Data</b>			
Frequency Range (MHz)	2300-2500	2300-2500	2300-2500
Operational Bands	2.4GHz WLAN	2.4GHz WLAN	2.4GHz WLAN
VSWR	≤ 1.5:1	≤ 1.5:1	≤ 1.5:1
Gain: Isotropic	2 dBi	4 dBi	4 dBi
Compared to ¼ wave	0 dB	2 dB	2 dB
Polarisation	Vertical	Vertical	Vertical
Pattern	Omni-Directional	Omni-Directional	Omni-Directional
Impedance	50Ω	50Ω	50Ω
Max Input Power (W)	5	5	5
<b>Mechanical Data</b>			
Dimensions (mm)	Height	88	187
	Diameter	11	13.25
Operating Temp (°C)	-40° / +80°C	-40° / +80°C	-40° / +80°C
Material	Engineering Plastic	Engineering Plastic	Engineering Plastic
Colour	Black	Black	Black
Weight (g)	12	31	40
<b>Mounting Data</b>			
Termination	SMA Plug	TNC Plug	TNC Plug