

## BLUE PUCK MAG Mesh

Industrial MESH 2.4 Ghz magnetic sensor



### BENEFITS

- Simple deployment, maintenance, and expansion
- Waterproof (IP68)
- Smart & secure programming by NFC
- Over-the-air (OTA) firmware update via network



## TECHNICAL SPECIFICATIONS

### OPERATING MODE

<b>Frequency</b>	2.4 GHz – BLE channel / Mesh network
<b>Output power</b> <b>Range</b>	Up to +4 dBm (Smart network) Up to 140 meters open field (+4 dBm)
<b>Transmission period</b>	Transmission periods 15" to 18H.
<b>Radio frame format</b>	Setting of the 3-byte identifier, WIREPAS Network Address and Channel.
<b>Settings and configuration</b>	Interface/protocol : NFC (Type 2) Network Configuration and Diagnostics: Wirepas Network Tool software
<b>Autorole mode</b>	Periodic transmission of magnet detection and detection counter
<b>Sensor performance</b>	<b>Hall effect sensor range:</b> 2cm typ. (on the side of the "arrow" symbol) <b>Magnetic event detector:</b> Immediate transmission upon change of sensor state <b>Transmitted data:</b> Magnetic event counter: Counting the number of total magnetic state changes (16 bits) Instant magnetic state (1 bit)

**BATTERY**

<b>Power supply</b>	3 VDC - Internal lithium battery
<b>Battery life</b>	Up to 3 years Battery voltage level sent via network and on MQTT Topic* <i>*Refer to the battery life curves for more information.</i>

**CERTIFICATIONS**

<b>Europe</b>	CE : EN 300 328/EN 300 330, EN 301 489, EN 62311, EN 62368
<b>USA</b>	FCC : FCC PART 15
<b>Canada</b>	ISED : RSS-247/ICES-003
<b>RoHS</b>	Yes

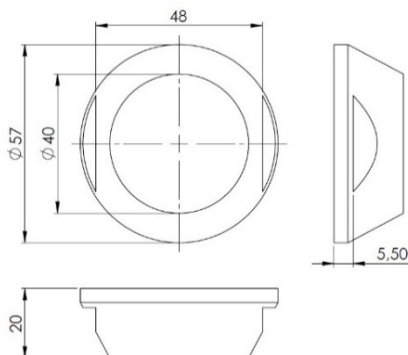
**HOUSING**

<b>Dimensions</b>	Ø 57mm base – Height : 20mm
<b>Weight</b>	41g
<b>Materials</b>	DELTRIN (POM C) Compatible with food product (90/128/EEC)
<b>Waterproof grade</b>	IP68
<b>Operating temperature</b>	-40°C to +85°C

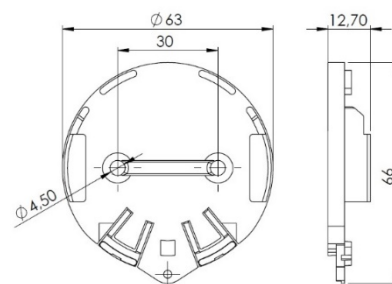
**ACCESSORIES**

<b>Tag support</b>	<p><b>Holder + double-sided adhesive:</b> PUCK HOLDER STICKER (ACIOM118B)</p> <p><b>Holder only:</b> PUCK HOLDER (ACIOM117B)</p> <p><b>Double-sided adhesive only:</b> PUCK STICKER (ACIOM188) 3M PT1100 - Ø 55mm – Thickness: 1,1mm</p>
--------------------	--

**MECHANICAL DRAWINGS**



BLUE PUCK MAG MESH



PUCK HOLDER

Specifications may be modified without any notification. Non-contractual document.