

BLUE PUCK RHT Mesh



Industrial MESH 2.4Ghz humidity & temperature sensor

BENEFITS

- Simple deployment, maintenance, and expansion
- Waterproof (IP65)
- Smart & secure programming by NFC
- Over-the-air (OTA) firmware update via network



TECHNICAL SPECIFICATIONS

OPERATING MODE

Frequency	2.4 GHz – BLE channel / Mesh network
Output power Range	Up to +4 dBm (Smart network) Up to 140 meters open field (+4 dBm)
Transmission period	Transmission periods 15" to 18H.
Radio frame format	Setting of the 3-byte identifier, WIREPAS Network Address and Channel.
Settings and configuration	Interface/protocol : NFC (Type 2) Network Configuration and Diagnostics: Wirepas Network Tool software
Autorole mode	Periodic transmission of temperature and humidity measurement

Sensor performance

	Temperature sensor	Humidity sensor
Range	-40°C to +85°C	0% to 100%
Resolution	0.01°C	0.01%
Accuracy	±0,4 °C max	±2,5 % max (0% to 90%) ±3,5 % max (90% to 100%)

BATTERY

Power supply	3 VDC - Internal lithium battery
Battery life	Up to 4 years Battery voltage level sent via network and on MQTT Topic* <i>*Refer to the battery life curves for more information.</i>

CERTIFICATIONS

Europe	CE : EN 300 328/EN 300 330, EN 301 489, EN 62311, EN 62368
USA	FCC : FCC PART 15
Canada	ISED : RSS-247/ICES-003
RoHS	Yes

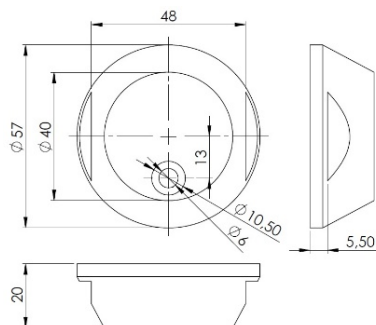
HOUSING

Dimensions	Ø 57mm base – Height : 20mm
Weight	41g
Materials	DELTRIN (POM C) Compatible with food product (90/128/EEC)
Waterproof grade	IP65
Operating temperature	-40°C to +85°C

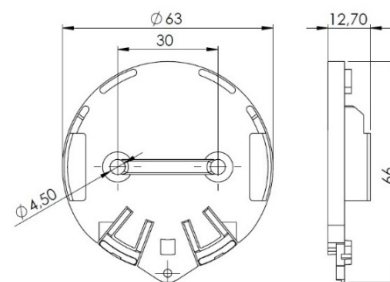
ACCESSORIES

Tag support	Holder + double-sided adhesive: PUCK HOLDER STICKER (ACIOM118B) Holder only: PUCK HOLDER (ACIOM117B) Double-sided adhesive only: PUCK STICKER (ACIOM188) 3M PT1100 - Ø 55mm – Thickness: 1,1mm
--------------------	---

MECHANICAL DRAWINGS



Blue PUCK RHT MESH



PUCK HOLDER

Specifications may be modified without any notification. Non-contractual document.

www.elainnovation.com Copyright © 2020 ELA Innovation – FP Blue PUCK RHT Mesh 03B EN