

## BLUE PUCK T Mesh

### Industrial Mesh 2.4Ghz temperature sensor



#### BENEFITS

- Simple deployment, maintenance, and expansion
- Smart & secure programming by NFC
- Waterproof (IP68)
- Over-the-air (OTA) firmware update via network



## TECHNICAL SPECIFICATIONS

### OPERATING MODE

<b>Frequency</b>	2.4 GHz – BLE channel / Mesh network
<b>Output power</b> <b>Range</b>	Up to +4 dBm (Smart network) Up to 140 meters open field (+4 dBm)
<b>Transmission period</b>	Transmission periods 15" to 18H.
<b>Radio frame format</b>	Setting of the 3-byte identifier, address and WIREPAS network channel. BLE Advertising Frame: Transmission Interval, Name and Power.* <i>*Refer to the frames specification for more information.</i>
<b>Settings and configuration</b>	Interface/protocol : NFC (Type 2) Acceleration level for inertial event wake up Network Configuration and Diagnostics: Wirepas Network Tool software
<b>Autorole mode</b>	Periodic transmission of temperature measurement
<b>Sensor performance</b>	<b>Range:</b> -40 to 85 °C <b>Resolution:</b> 0,0625 °C <b>Accuracy:</b> ±0.5°C maximum (0°C to 65 °C) ±1°C maximum (-40°C to 0°C & 65°C to 85°C)

## BATTERY

<b>Power supply</b>	3 VDC - Internal lithium battery
<b>Battery life</b>	Up to 4 years Battery voltage level sent via network and on MQTT Topic* <i>*Refer to the battery life curves for more information.</i>

## CERTIFICATIONS

<b>Europe</b>	CE : EN 300 328/EN 300 330, EN 301 489, EN 62311, EN 62368
<b>USA</b>	FCC : FCC PART 15
<b>Canada</b>	ISED : RSS-247/ICES-003
<b>RoHS</b>	Yes

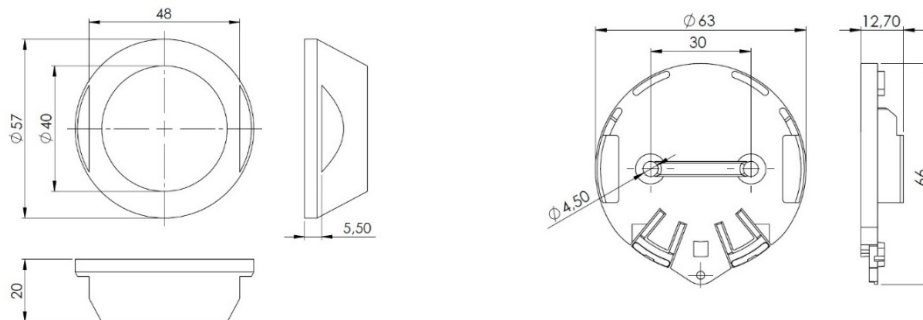
## HOUSING

<b>Dimensions</b>	Ø 57mm base – Height : 20mm
<b>Weight</b>	41g
<b>Materials</b>	DELFIN (POM C) Compatible with food product (90/128/EEC)
<b>Waterproof grade</b>	IP68
<b>Operating temperature</b>	-40°C to +85°C

## ACCESSORIES

<b>Tag support</b>	<b>Holder + double-sided adhesive:</b> PUCK HOLDER STICKER (ACIOM118B) <b>Holder only:</b> PUCK HOLDER (ACIOM117B) <b>Double-sided adhesive only:</b> PUCK STICKER (ACIOM188) 3M PT1100 - Ø 55mm – Thickness: 1,1mm
--------------------	---

## MECHANICAL DRAWINGS



Blue PUCK T MESH

PUCK HOLDER