

# Broadband Antenna

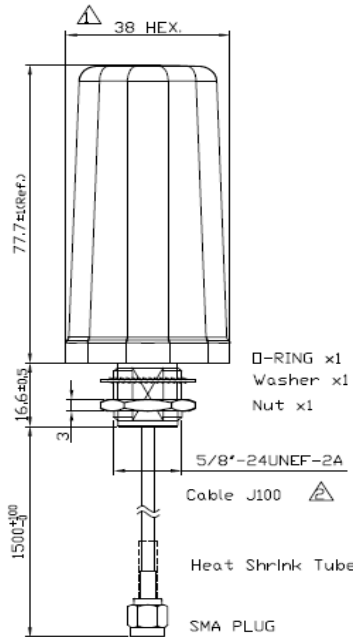
700-2700 MHz  
PART # WS-YHF-7-27



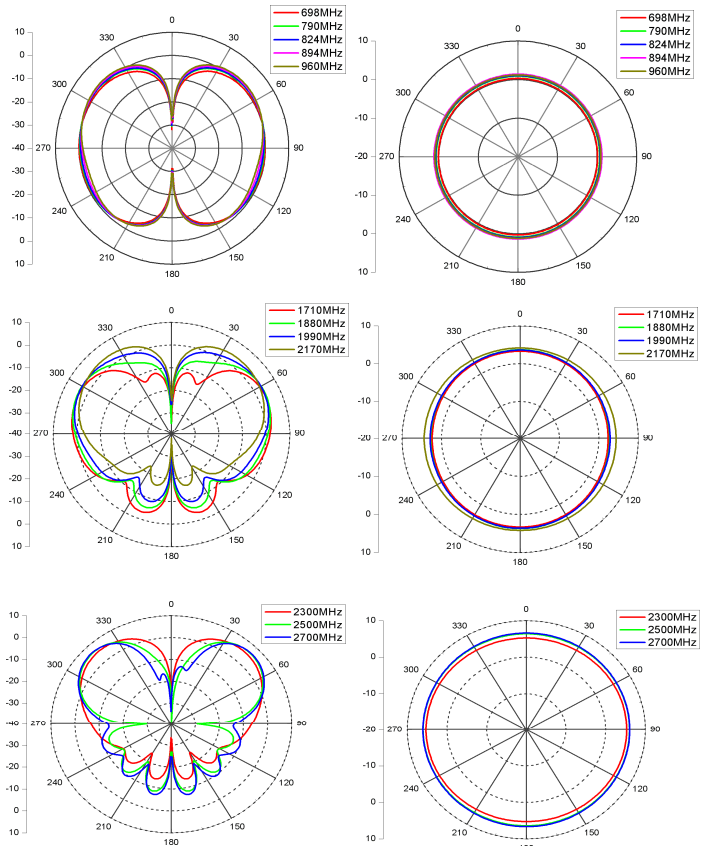
The WS-YHF-7-27 is a low profile, ground independent omni directional antenna designed to cover LTE, 3G850, GSM900/1800, PCS1900, 3G2100 and ISM 2.4-2.5GHz. Its robust design and low visual impact make it perfect for fixed and mobile data applications. It has a 16mm stud mount with an integrated rubber O-ring seal.

## Features:

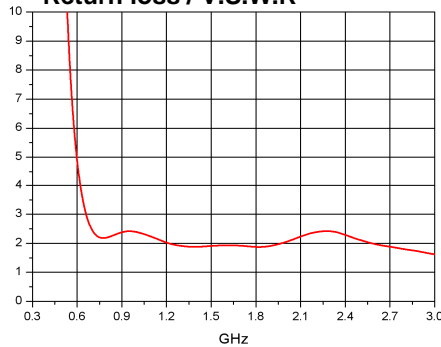
- Polycarbonate radome is ideal for outdoor or indoor use
- Stud mounting offers ease of installation in the field
- Ingress protection to IP65
- Supplied standard with 2.5m low loss RG58 cable and SMA male connector
- Other cable/connector configuration available on request



## PATTERN



## Return loss / V.S.W.R



## Electrical

Model Number	WS-YHF-7-27
Frequency MHz	698-960 / 1710-2170 / 2300-2700
Nominal Gain dBi	2.0 / 3.0 / 5.0
VSWR (Return Loss)	<2.5:1
Nominal Impedance Ω	50
Radiation	Omni
Polarization	Vertical

## Mechanical

Model Number	WS-YHF-7-27
Construction	Black polycarbonate radome
Length mm	77.7
Diameter mm	38 at base to 33 at top
Weight kg	0.170
Termination	2.5m low loss RG58 cable terminated with SMA male connector