

# GPS Active Magnetic Mount Antenna

## Part: WS-GPS-FK

### Introduction

This high performance active RHCP antenna features a precisely tuned custom ceramic patch antenna element that delivers maximum performance. The antenna is enclosed in a rugged, fully weatherproof housing, designed for applications which require high positioning accuracy.



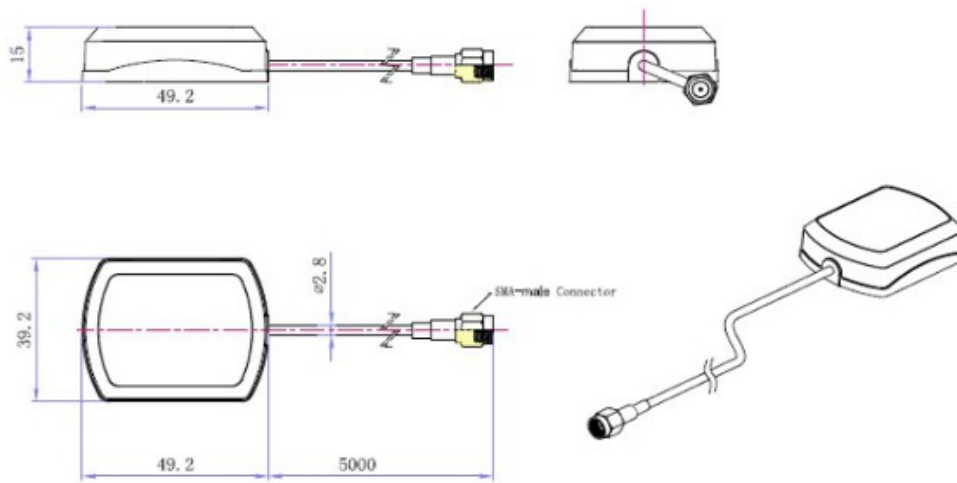
### Specification

#### Electrical

Frequency Range	1575.42MHz±3 MHz
V.S.W.R	1.5:1
Polarization Type	RHCP
Impedance	50 ohm
LNA Gain	28±2 dB Typical
Noise Figure	1.5dB
DC Voltage	2.2-5.0V
DC current	5-15mA
Housing colour	Black
Cable	RG174
Length	5M
Connector	SMA Male
Radome Material	ABS
Mounting	Magnetic or Sticker

#### Mechanical

Dimensions	49x39x15mm
Weight	70g
Operating Temperature	-40°C~+80°C
Humidity	55%-75%RH
Waterproof	IP67



Radiation Pattern

