

3 in 1 Combination M2M Puck Antenna 3G/4G/WiFi/GPS(Glonass)

Part Number : WS-PC758G

1. Introduction

The WS-PC758G is a low profile antenna, that supports 3G, LTE WiFi (2.4/5.8GHz) and GPS/GLONASS all in a IP66 rated, heavy duty “puck” style housing. It combines the highest possible efficiency and peak gain at the frequencies and its compact form factor is ideal for fleet management, navigation and various telematic applications. The combination of 3M adhesive foam and an M12 screw mount ensures a water tight and stable installation.



2. Specifications

Electrical

GPS/GLONASS:

Frequency Range	1575.42MHz±3 MHz/1602MHz
V.S.W.R	1.5:1
Polarization Type	RHCP
Impedance	50Ω
LNA Gain	28±2dB Typical
Noise Figure	1.5dB
DC Voltage	2.2-5.0V
DC current	5-15mA

WIFI:

Frequency range	2400-2500MHz/5150-5850MHz
V.S.W.R	2.0:1
Gain	3dB

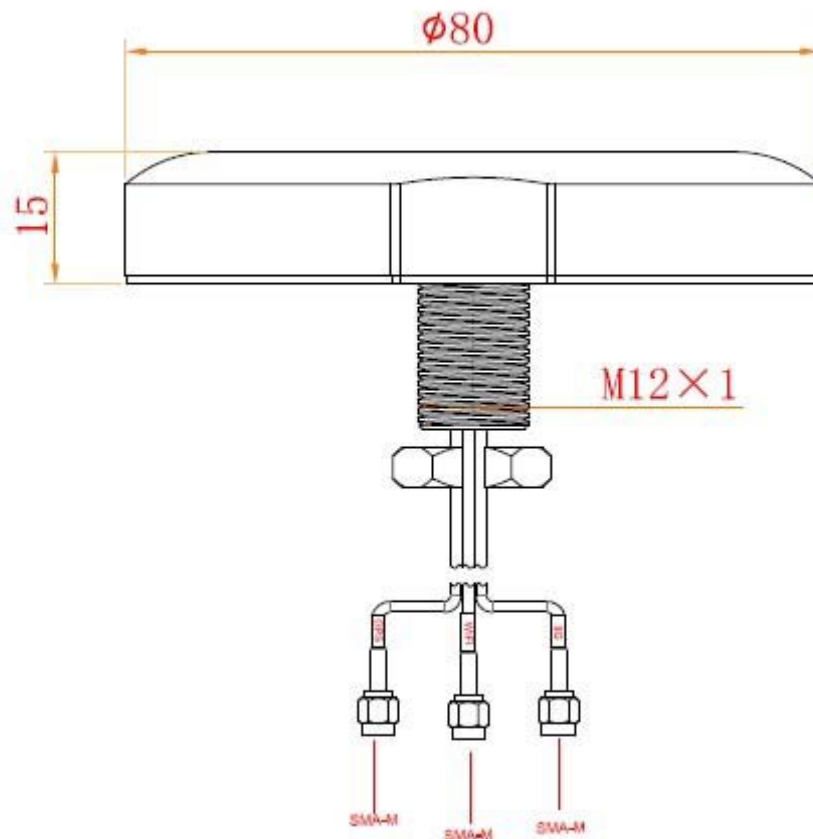
LTE:

Frequency range	698-960MHz , 1710-2700MHz
V.S.W.R	2.0:1
Gain	2dBi

Mechanical

Housing	Black
Cable	RG174
Length	3M
Connector	3 x SMA Male – can be customised
Working Temp	-40°C~+85°C
Humidity	55%-75%RH
IP rated	IP66
Radome Material	ABS
Mounting Method	Screw
Dimensions	Φ80×15 mm
Weight	150g
RoHS Compliant	YES

3.Drawing



4.V.S.W.R

