

## BLUE PUCK AI Mesh



Industrial MESH 2.4 Ghz analog input sensor

### BENEFITS

- Simple deployment, maintenance, and expansion
- Analog input management
- Waterproof (IP68)
- Smart & secure programming by NFC
- Over-the-air (OTA) firmware update via network



## TECHNICAL SPECIFICATIONS

### OPERATING MODE

<b>Frequency</b>	2.4 GHz – BLE channel / Mesh network
<b>Output power</b> <b>Range</b>	Up to +4 dBm (configurable/ smart network) Up to 140 meters openfield (+4 dBm)
<b>Transmission period</b>	Transmission periods 15" to 18H.
<b>Radio frame format</b>	Setting of the 3-byte identifier, address and WIREPAS network channel. BLE Advertising Frame: Transmission Interval, Name and Power.* <i>*Refer to the frames specification for more information.</i>
<b>Settings and configuration</b>	Interface/protocol : NFC (Type 2) Network Configuration and Diagnostics: Wirepas Network Tool software
<b>Autorole mode</b>	Periodic data transmission of input analog voltage in mV (16 Bits)
<b>Sensor performance</b>	<b>ADC convertisseur de tension :</b> Range : 0 à 5V, Resolution : 10 mV, Accuracy : 5% Input Impedance: 20 kOhms

### BATTERY

<b>Power supply</b>	3 VDC - Internal lithium battery
<b>Battery life</b>	Up to 4 years Battery voltage level sent via network and on MQTT Topic* <i>*Refer to the battery life curves for more information.</i>

**CERTIFICATIONS**

<b>Europe</b>	CE : EN 300 328/EN 300 330, EN 301 489, EN 62311, EN 62368
<b>USA</b>	FCC : FCC PART 15
<b>Canada</b>	ISED : RSS-247/ICES-003
<b>RoHS</b>	Yes

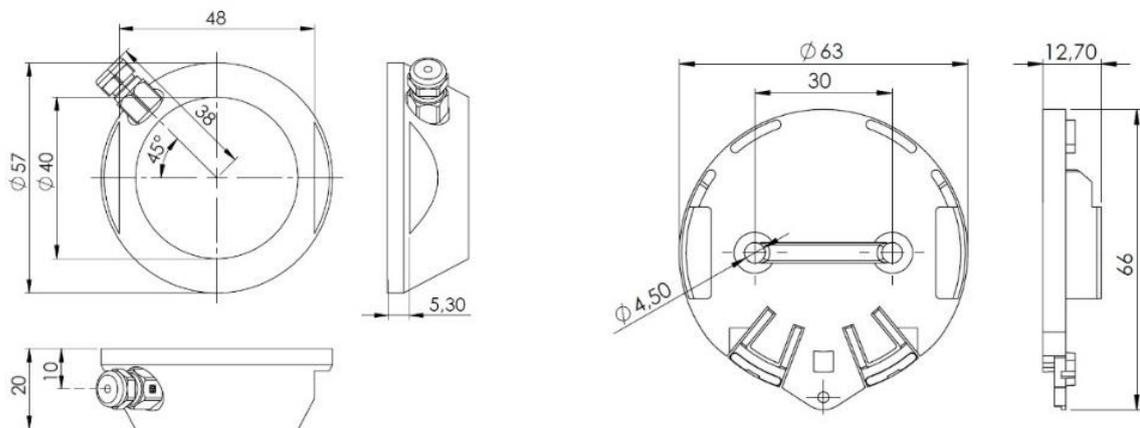
**HOUSING**

<b>Dimensions</b>	Ø 57mm base – height : 20mm
<b>Weight</b>	41g
<b>Materials</b>	DELIN (POM C) Compatible with food product (90/128/EEC)
<b>Cable</b>	Provided with 1m cable Red : + White : GND
<b>Waterproof grade</b>	IP68
<b>Operating temperature</b>	-40°C to +85°C

**ACCESSORIES**

<b>Tag support</b>	PUCK HOLDER STICKER (ACIOM 118B) PUCK HOLDER (ACIOM 117B) PUCK STICKER (ACIOM 188) 3M PT1100 – Ø53mm – Thickness: 1,1mm
--------------------	--

**MECHANICAL DRAWINGS**



BLUE PUCK AI MESH

PUCK HOLDER