

BLUE PUCK MOV Mesh

Industrial MESH 2.4Ghz movement sensor



BENEFITS

- Simple deployment, maintenance, and expansion
- Motion detection or acceleration measurement
- Waterproof (IP68)
- Smart & secure programming by NFC
- Over-the-air (OTA) firmware update via network

TECHNICAL SPECIFICATIONS

OPERATING MODE

Frequency	2.4 GHz – BLE channel / Mesh network
Output power	Up to +4 dBm (configurable/ smart network)
Range	Up to 140 meters openfield (+4 dBm)
Transmission period	Transmission periods 15" to 18H.
Radio frame format	Setting of the 3-byte identifier, address and WIREPAS network channel. BLE Advertising Frame: Transmission Interval, Name and Power.* <i>*Refer to the frames specification for more information.</i>

Settings and configuration

Interface/protocol : NFC (Type 2)
Network Configuration and Diagnostics: Wirepas Network Tool software

Autorole mode

MOV Mode	ANG Mode
Periodic transmission of motion detection status and counter - Motion detection counter: Total number of motion events detected (32 bits) - Motion instantaneous state (1bit)	Periodic transmission of acceleration components on the 3 axis related to the tag - X-axis acceleration (mg) (2 bytes) - Y-axis acceleration (mg) (2 bytes) - Z-axis acceleration (mg) (2 bytes)

Sensor performance

MOV Mode	ANG Mode
Range : -8g à 8g Configurable Threshold Level : between 32 mg et 8000 mg Motion event detector: Immediate transmission upon change of motion state	Range: -2g to 2g Resolution: 1mg (LSB) Accuracy: ±0,5% Full scale

BATTERY

Power supply	3 VDC - Internal lithium battery
Battery life	Up to 4 years (1 minute transmission period) Battery voltage level sent via network and on MQTT Topic* <i>*Refer to the battery life curves for more information.</i>

CERTIFICATIONS

Europe	CE : EN 300 328/EN 300 330, EN 301 489, EN 62311, EN 62368
USA	FCC : FCC PART 15
Canada	ISED : RSS-247/ICES-003
RoHS	Yes

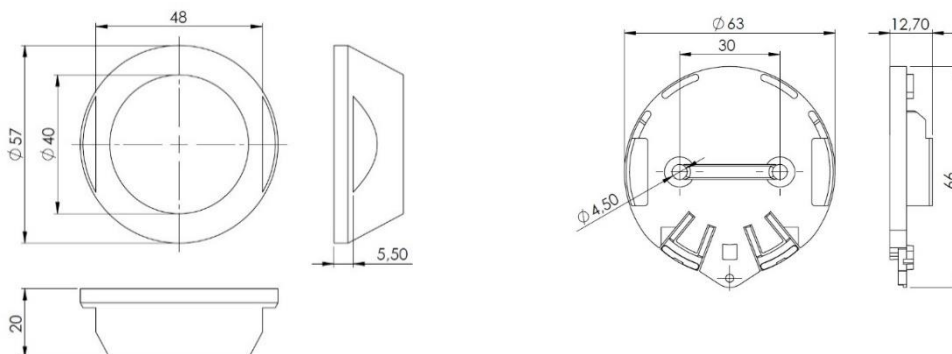
HOUSING

Dimensions	Ø 57mm base – height : 20mm
Weight	41g
Materials	DELIRIN (POM C) Compatible with food product (90/128/EEC)
Waterproof grade	IP68
Operating temperature	-40°C to +85°C

ACCESSORIES

Tag support	PUCK HOLDER STICKER (ACIOM 118B) PUCK HOLDER (ACIOM 117B) PUCK STICKER (ACIOM 188) 3M PT1100 - Ø 53mm – Thickness: 1,1mm
--------------------	-----------------------------------------------------------------------------------------------------------------------------------

MECHANICAL DRAWINGS



Blue PUCK MOV MESH

PUCK HOLDER