

## BLUE PUCK ID QUUPPA

AOA RTLS beacon

Quuppa



### BENEFITS

- Location high accuracy <1m
- Ultra compact
- High lifecycle: up to 20 years
- Pick to light : Integrated LED
- IP68 waterproof
- Integrated NFC chipset



## TECHNICAL SPECIFICATIONS

### OPERATING MODE

<b>Frequency</b>	2.4 GHz - Bluetooth + 2 proprietary channels (2401MHz & 2481MHz)
<b>Output power</b>	Up to +4 dBm (configurable)
<b>Range</b>	Up to 500 meters in open field (+4dBm)
<b>Transmission period</b>	<b>Smart battery management:</b> Static state : Transmit period: 1 to 10 sec, or standby Moving state : Transmit period: 0.1 to 1 sec
<b>Radio frame format</b>	Location packet + data packet (13 Bytes)* <i>*Refer to the frames specification for more information.</i>
<b>Settings and configuration</b>	Interface/protocol : NFC (Type 2)
<b>Operating mode</b>	Data periodic transmission by motion detection (QUUPPA protocol) Commands : <ul style="list-style-type: none"> <li>- LED indicator (ON / OFF)</li> <li>- Battery level</li> </ul>
<b>Sensor performance</b>	<b>Location accuracy</b> : 10 cm to 1m 3-axis accelerometer for moving event detection (battery life extension) <b>Range:</b> -8g to 8g <b>Resolution:</b> 32 mg

## BATTERY

<b>Power supply</b>	3 VDC – Internal lithium battery
<b>Battery life</b>	Up to 20 years* <i>*Refer to the battery life curves for more information.</i>
<b>Battery level</b>	Low battery warning from 15%

## CERTIFICATIONS

<b>Europe</b>	CE : EN 300 328/EN 300 330, EN 301 489, EN 62311, EN 62368
<b>USA</b>	FCC : FCC PART 15
<b>Canada</b>	ISED : RSS-247/ICES-003
<b>RoHS</b>	Yes
<b>Quuppa Approved</b>	Yes

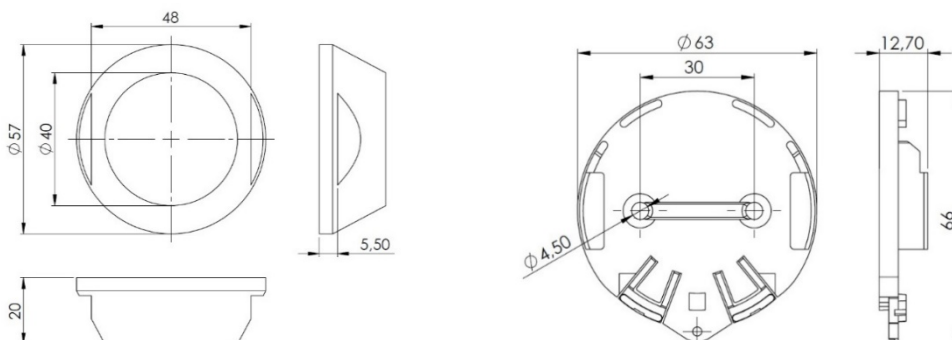
## HOUSING

<b>Dimensions</b>	Ø 57 mm base - height: 20 mm
<b>Weight</b>	41g
<b>Materials</b>	DELTRIN (POM C)
<b>Waterproof grade</b>	IP 68
<b>Operating temperature</b>	-40°C to +85°C

## ACCESSORIES

<b>Tag support</b>	<p><b>Holder + double-sided adhesive:</b> PUCK HOLDER STICKER (ACIOM118B)</p> <p><b>Holder only:</b> PUCK HOLDER (ACIOM117B)</p> <p><b>Double-sided adhesive only:</b> PUCK STICKER (ACIOM188)</p> <p>3M PT1100 - Ø 55mm – Thickness: 1,1mm</p>
--------------------	---

## MECHANICAL DRAWINGS



**BLUE PUCK ID QUUPPA**

**BLUE PUCK HOLDER**

Specifications may be modified without any notification. Non-contractual document.